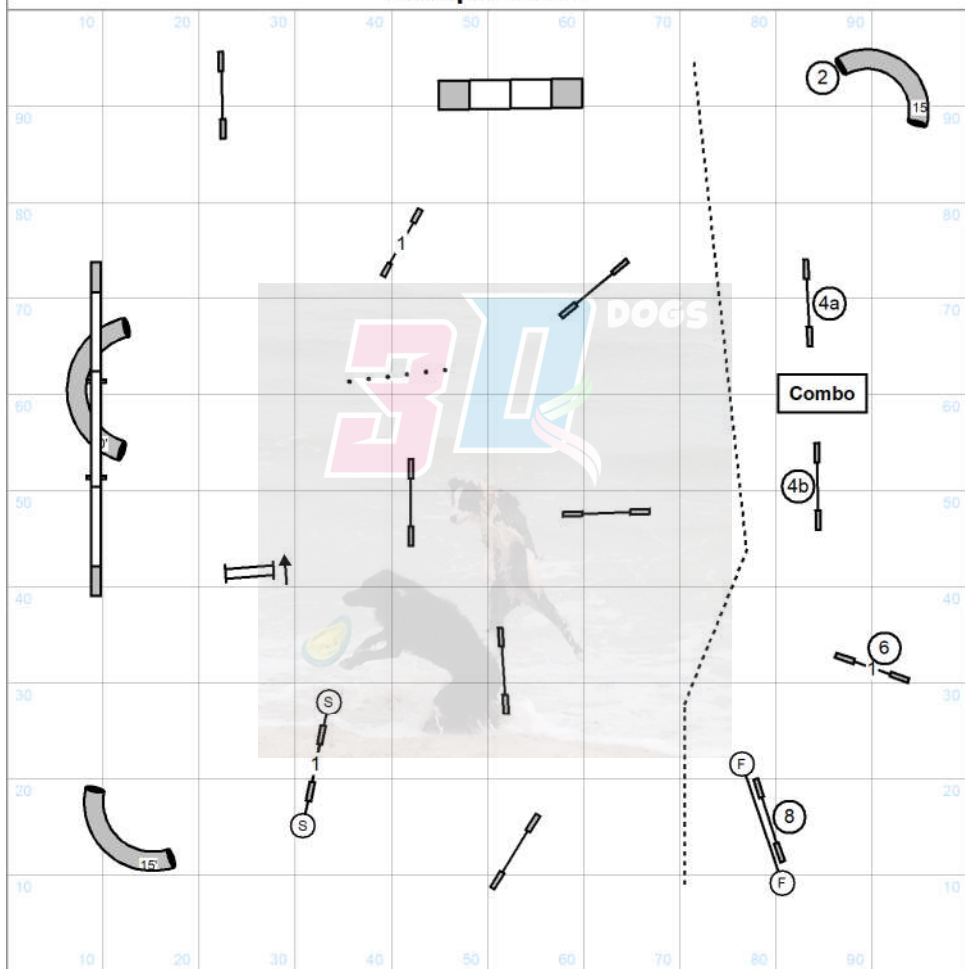


Jackpot 5 & C



**Start Jump is Bi-Directional
Must be taken to start scoring**

BRIEFING: Everything may be taken twice successfully for points during the opening time. Back to back is fine as long as it is done safely. In the opening, no two sequentially numbered gamble obstacles may be taken back to back or you negate your gamble. Once the horn blows, you stop accumulating points and must successfully complete the gamble within the time allowed to Q.

- 1 Point: Single bar jumps
- 3 Point: Tunnels, Weaves, Double
- 5 Point: A-frame, Combo, Dogwalk

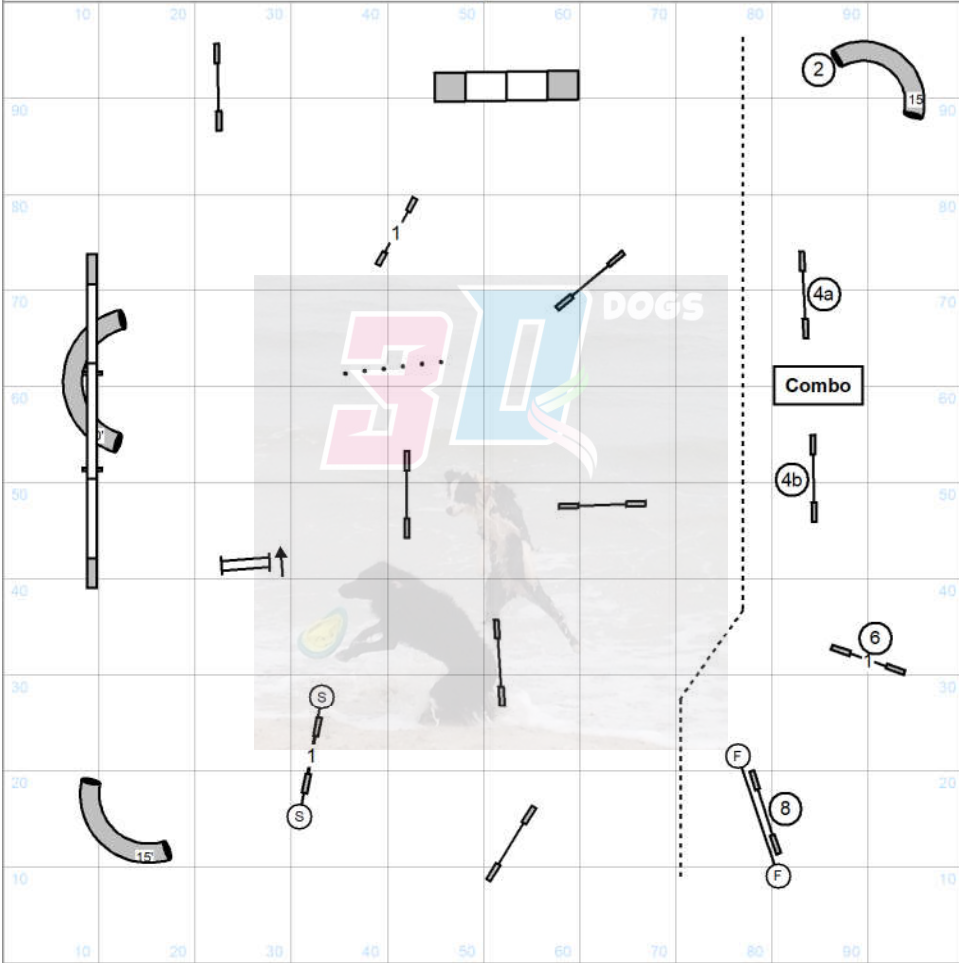
To Qualify, teams must complete the Gamble along with earning enough opening points within the time allowed

Level 5, C 44 points
Specialists and Enthusiasts: Two points fewer

Jackpot Level 5, & C
Judged by Darryl Warren
Sep 13, 2024
Teamworks Dog Training
Youngsville, NC

CourseDesigner.com (CD v4.34)

Jackpot 3



**Start Jump is Bi-Directional
Must be taken to start scoring**

BRIEFING: Everything may be taken twice successfully for points during the opening time. Back to back is fine as long as it is done safely. In the opening, no two sequentially numbered gamble obstacles may be taken back to back or you negate your gamble. Once the horn blows, you stop accumulating points and must successfully complete the gamble within the time allowed to Q.

You may choose to attempt the Black or the red gamble from the matching line.

- 1 Point: Single bar jumps
- 3 Point: Tunnels, Weaves, Double
- 5 Point: A-frame, Combo, Dogwalk

To Qualify, teams must complete the Gamble along with earning enough opening points within the time allowed

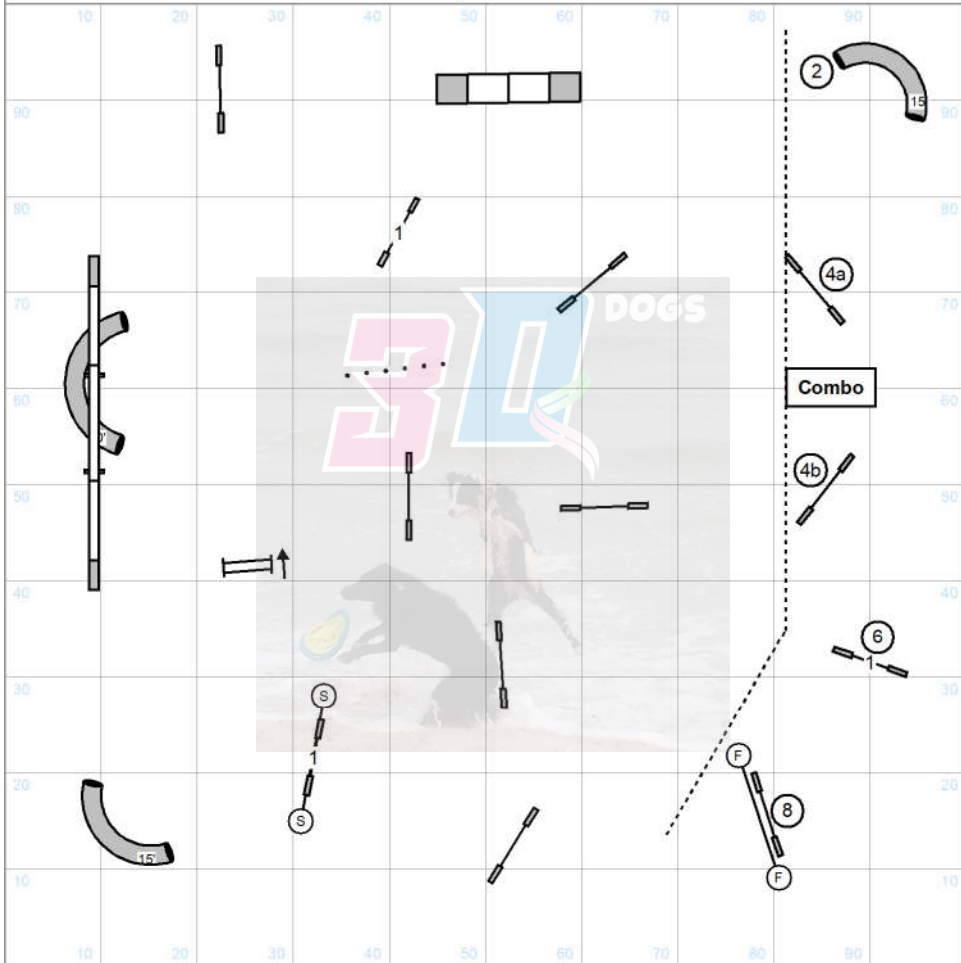
Level 3 40 points

Specialists and Enthusiasts: Two points fewer

Jackpot Level 3
Judged by Darryl Warren
Sep 13, 2024
Teamworks Dog Training
Youngville, NC

CourseDesigner.com (CD v4.34)

Jackpot 1 & 2



**Start Jump is Bi-Directional
Must be taken to start scoring**

BRIEFING: Everything may be taken twice successfully for points during the opening time. Back to back is fine as long as it is done safely. In the opening, no two sequentially numbered gamble obstacles may be taken back to back or you negate your gamble. Once the horn blows, you stop accumulating points and must successfully complete the gamble within the time allowed to Q.

- 1 Point: Single bar jumps
- 3 Point: Tunnels, Weaves, Double
- 5 Point: A-frame, Combo, Dogwalk

To Qualify, teams must complete the Gamble along with earning enough opening points within the time allowed

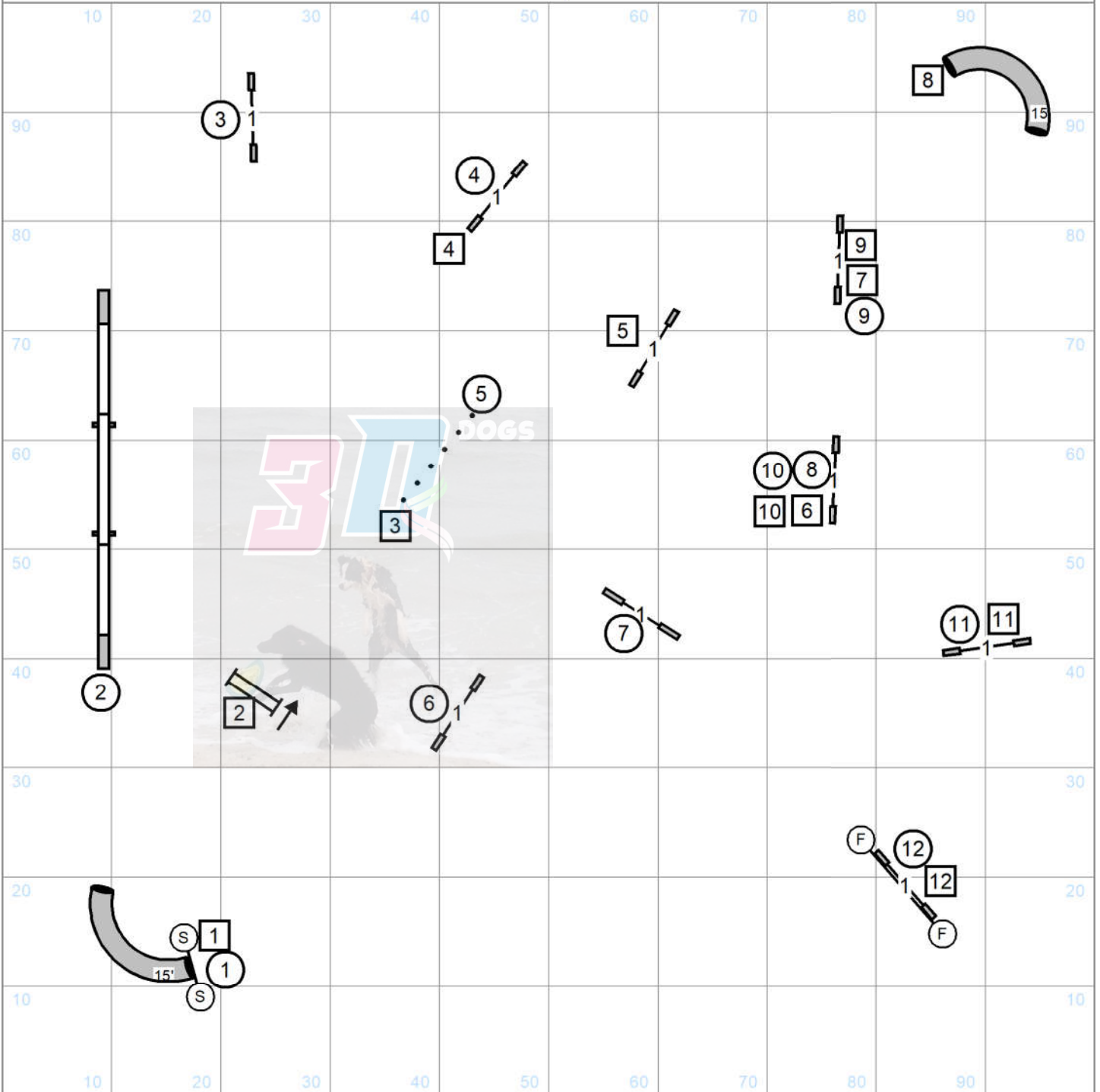
- Level 1 32 point
- Level 2 36 points

Specialists and Enthusiasts: Two points fewer

Jackpot Level 1 & 2
Judged by Darryl Warren
Sep 13, 2024
Teamworks Dog Training
Youngville, NC

CourseDesigner.com(ICD v4.34)

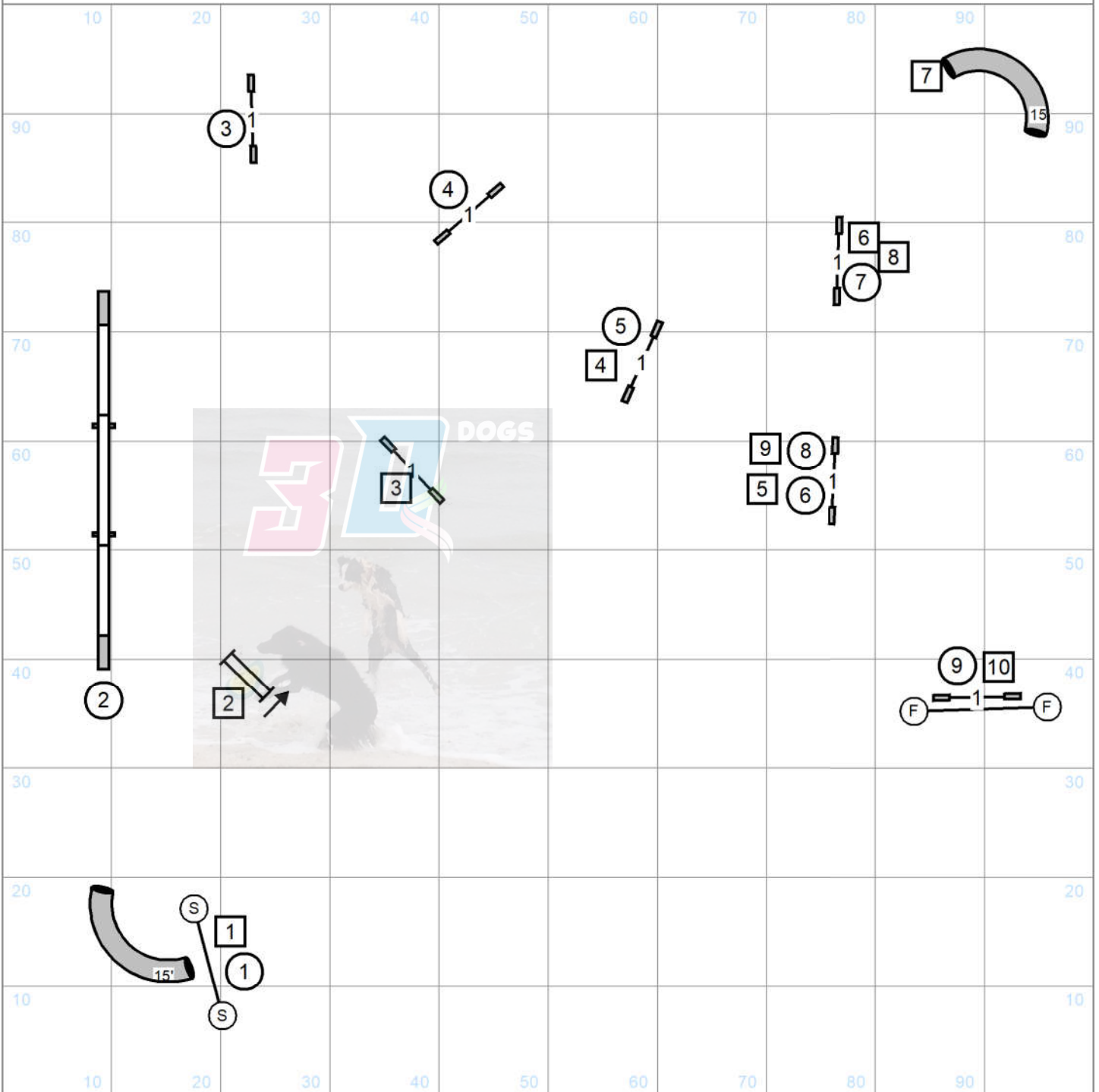
Colors 3, 5 & C



Please enter at #9
Good Luck

Colors Level 3, 5 & C
Judged by Darryl Warren
Sep 13, 2024
Teamworks Dog Training
Youngville, NC

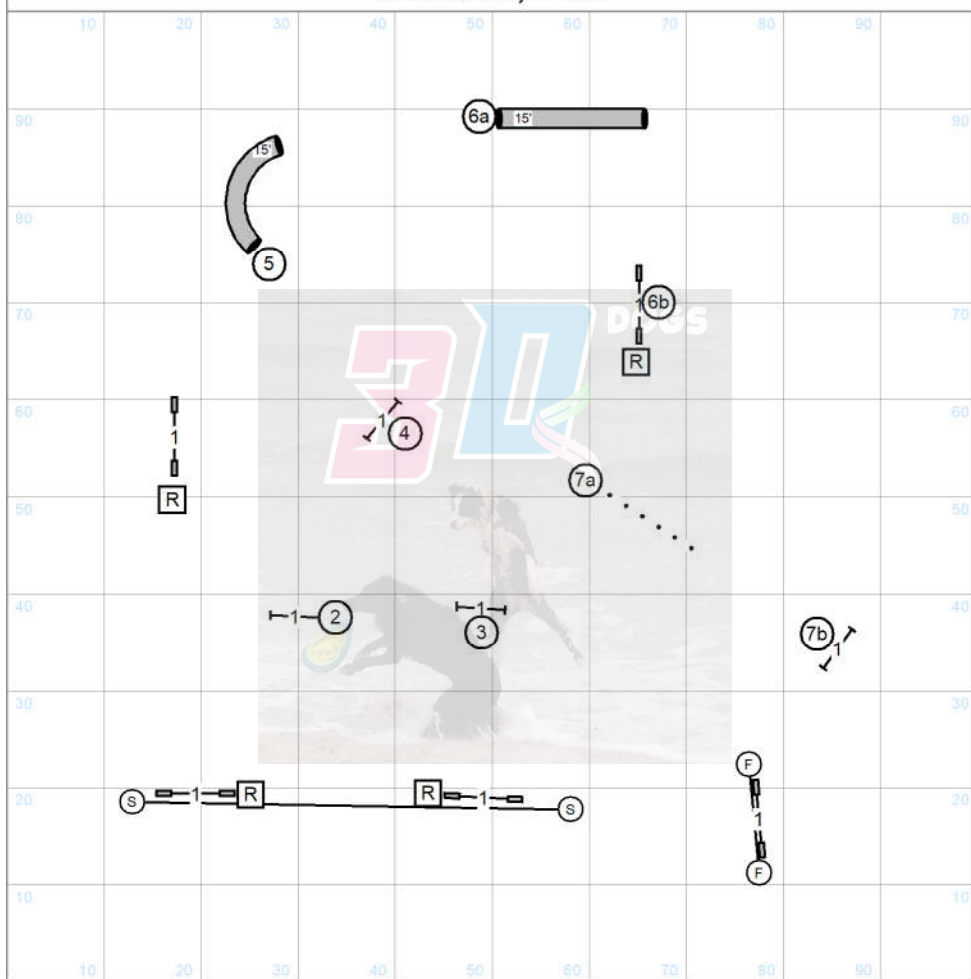
Colors 1 & 2



Please enter at #8
Good Luck

Colors Level 1 & 2
Judged by Darryl Warren
Sep 13, 2024
Teamworks Dog Training
Youngsville, NC

Snooker 3, 5 & C



The Start Line is not Bi-Directional

Opening: successful red followed by any color, 3 times everything is bi-directional, combos in any order

The finish jump is live upon completion of the opening. Or if the handler directs the dog to take it in the opening.

Closing: 2-7 in order (#2 is Bi-directional), combos as labeled

Upon hearing the buzzer or "thank you," run to the finish. Continuing to run the course can result in losing the last points earned.

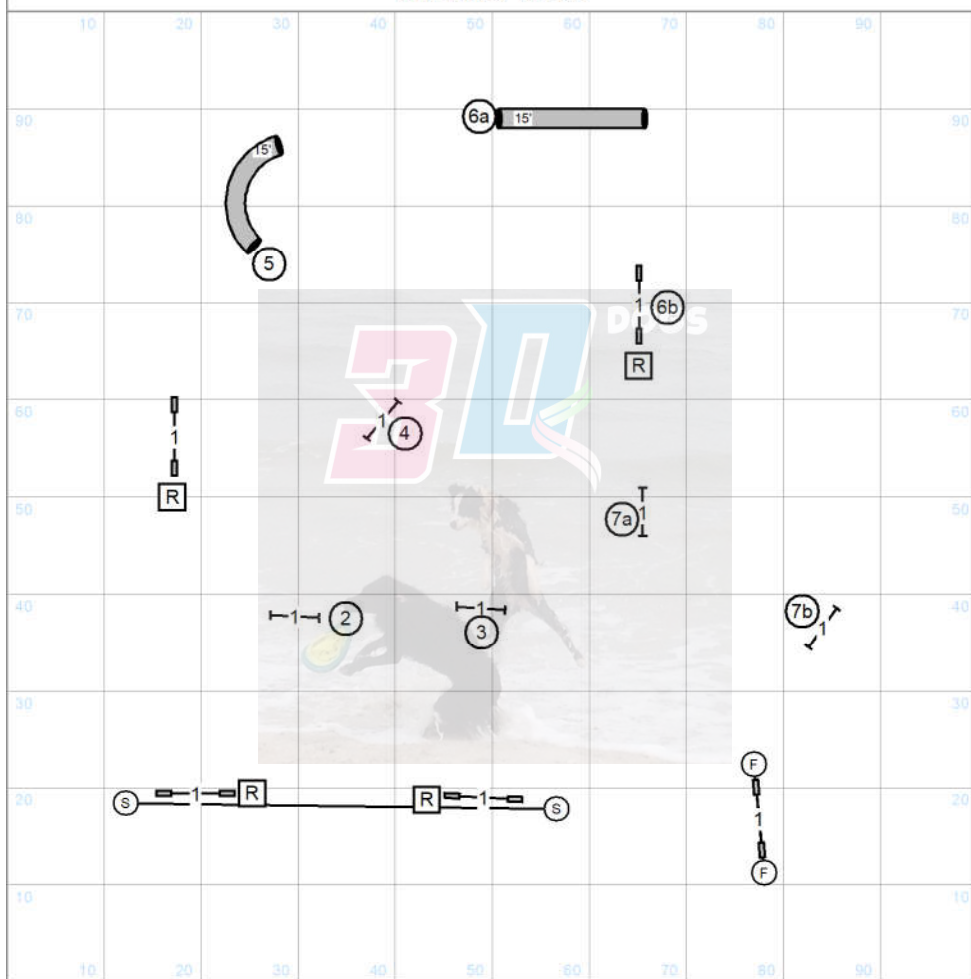
Points:
 Level 3 30 points
 Level 5, C 32 points

Enthusiast/Specialist – 2 points fewer at each level

Snooker Level 3, 5 & C
 Judged by Darryl Warren
 Sep 13, 2024
 Teamworks Dog Training
 Youngsville, NC

CourseDesigner.com (CD v4.34)

Snooker 1 & 2



The Start Line is not Bi-Directional

Opening: successful red followed by any color, 3 times
everything is bi-directional, combos in any order

The finish jump is live upon completion of the opening. Or if the handler directs the dog to take it in the opening.

Closing: 2-7 in order (#2 is Bi-directional), combos as labeled

Upon hearing the buzzer or "thank you," run to the finish. Continuing to run the course can result in losing the last points earned.

Points:
Level 1 26 points
Level 2 28 points

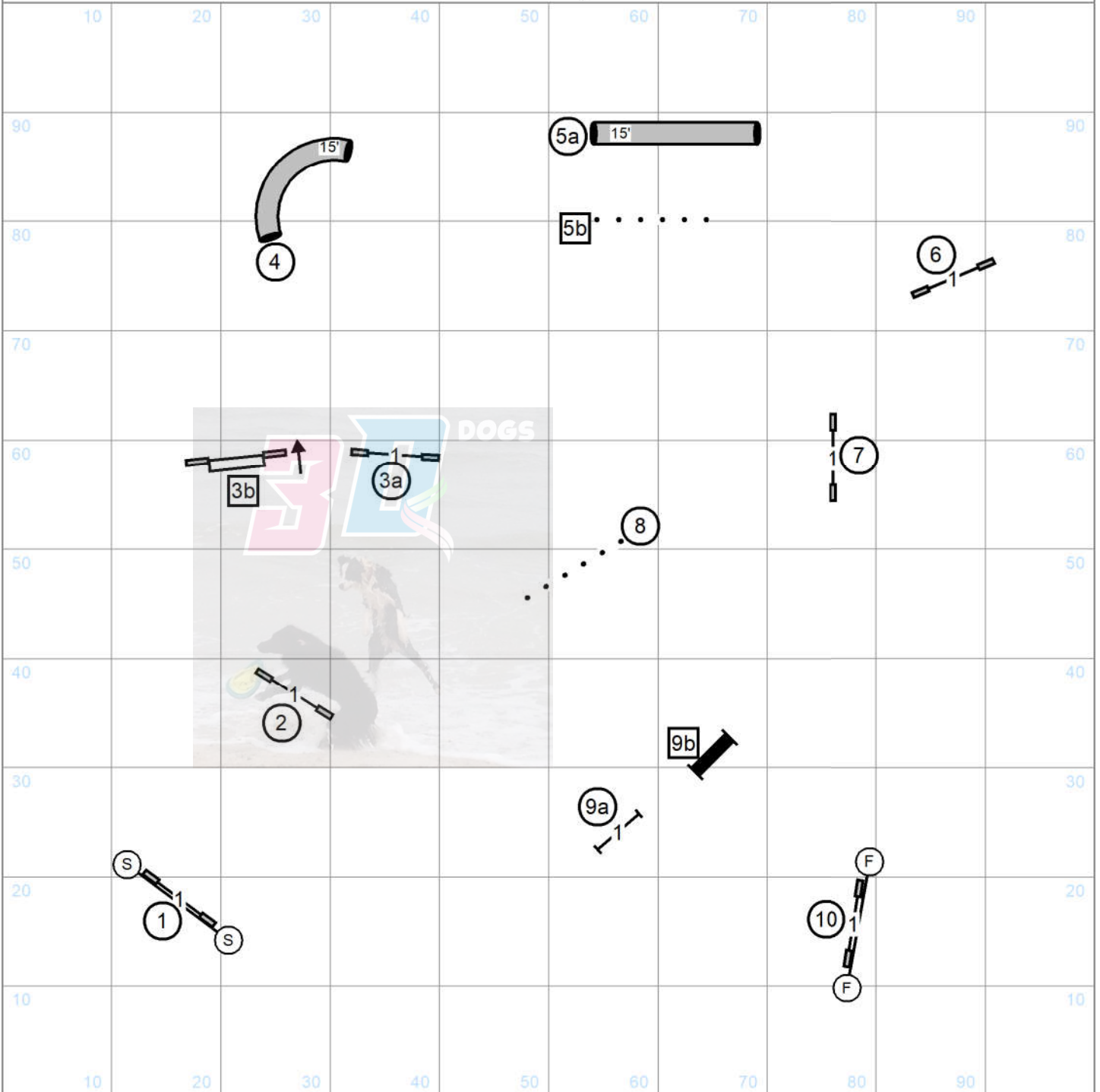
Enthusiast/Specialist –
2 points fewer at each level

Snooker Level 1 & 2
Judged by Darryl Warren
Sep 13, 2024
Teamworks Dog Training
Youngsville, NC

CourseDesigner.com (CD v4.34)

Wildcard 3, 5 & C

Two B's and an A

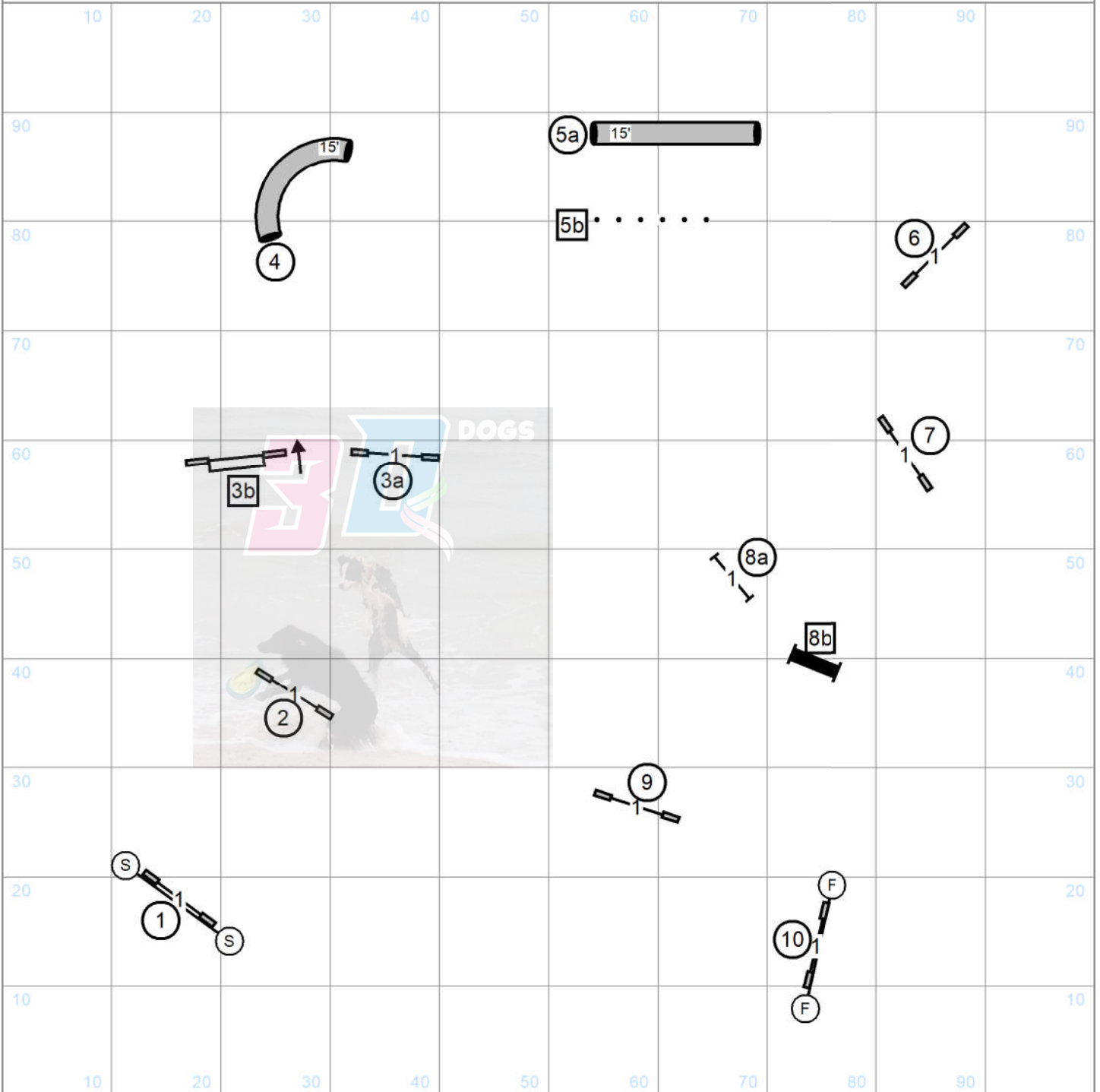


Please enter at #8
Good Luck

Wildcard Level 3, 5 & C
Judged by Darryl Warren
Sep 13, 2024
Teamworks Dog Training
Youngsville, NC

Wildcard 1 & 2

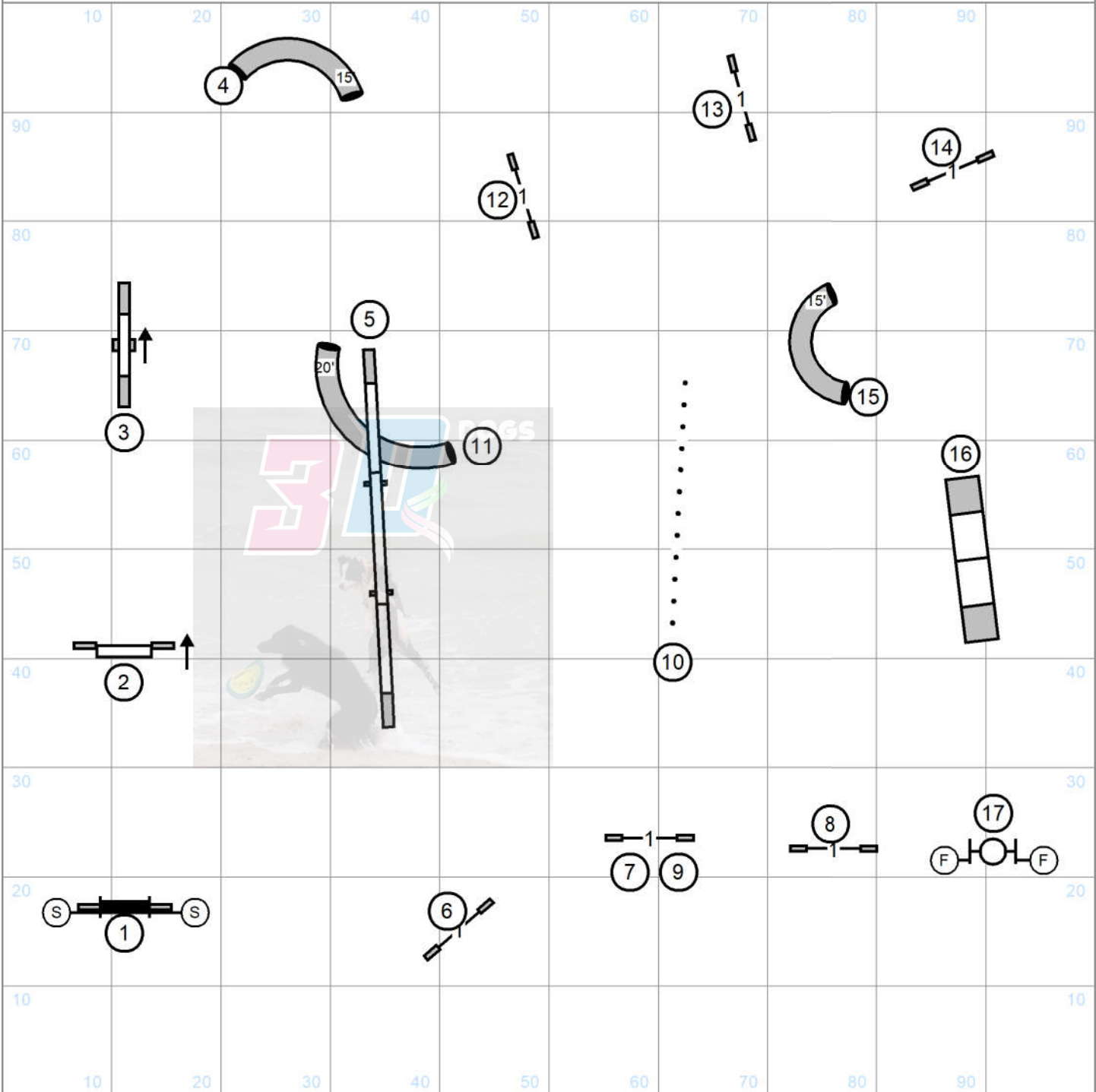
Two A's and a B



Please enter at #7
Good Luck

Wildcard Level 1 & 2
Judged by Darryl Warren
Sep 13, 2024
Teamworks Dog Training
Youngsville, NC

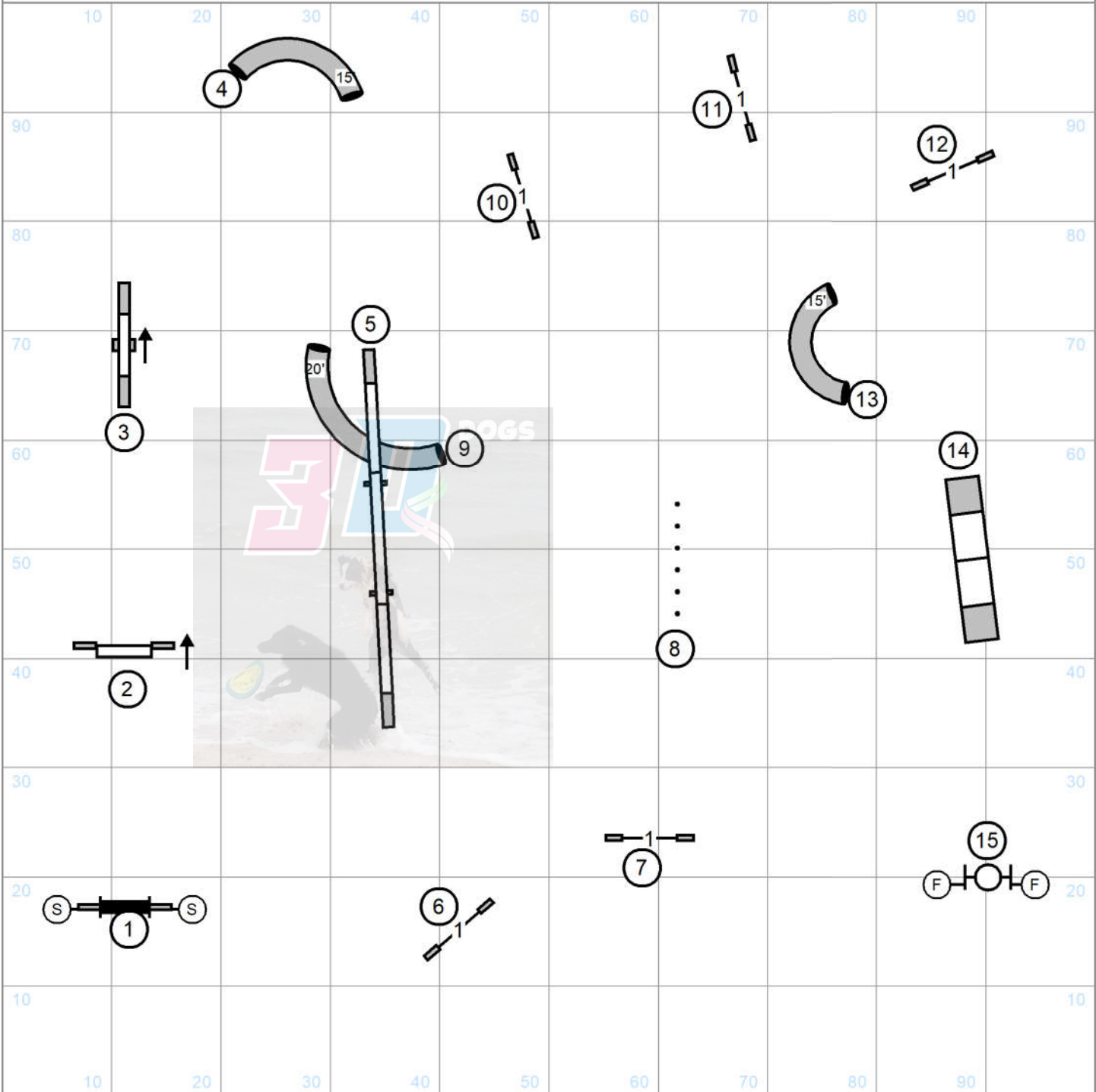
Standard 5 & C



Please enter at #13
Good Luck

Standard Level 5 & C
Judged by Darryl Warren
Sep 13, 2024
Teamworks Dog Training
Youngsville, NC

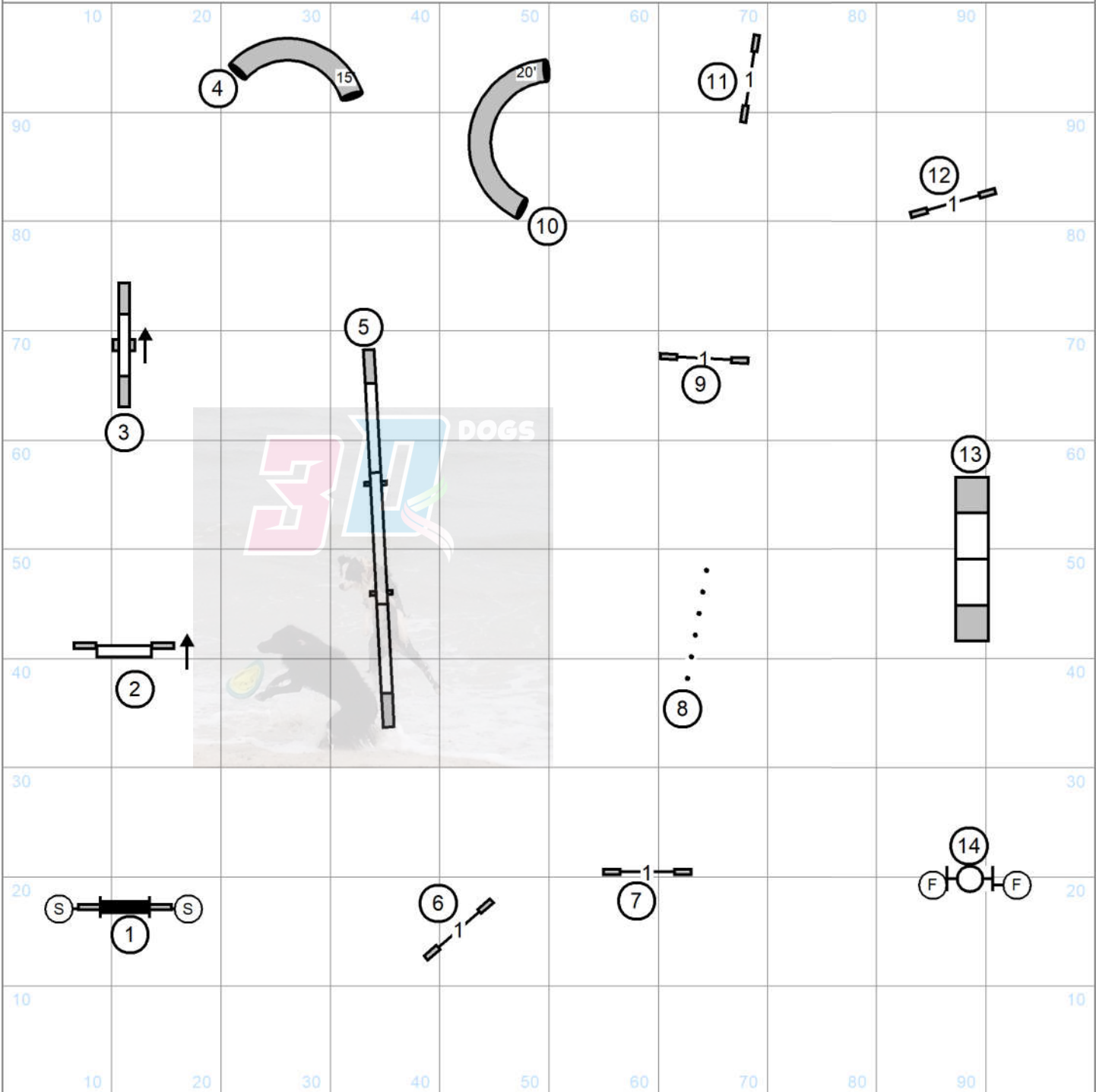
Standard 3



Please enter at #11
Good Luck

Standard Level 3
Judged by Darryl Warren
Sep 13, 2024
Teamworks Dog Training
Youngsville, NC

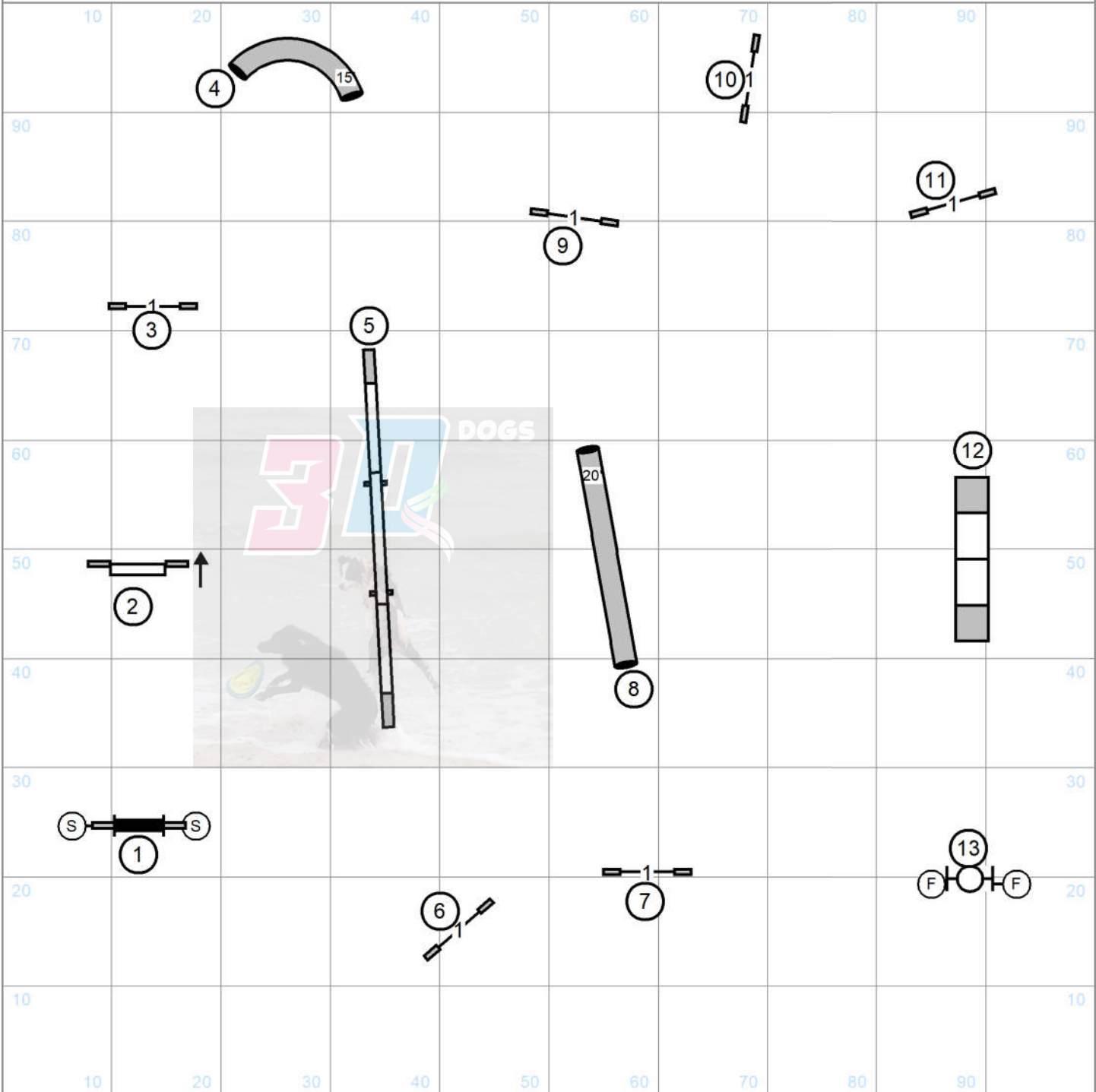
Standard 2



**Please enter at #11
Good Luck**

Standard Level 2
Judged by Darryl Warren
Sep 13, 2024
Teamworks Dog Training
Youngsville, NC

Standard 1



Please enter at #10
Good Luck

Standard Level 1
Judged by Darryl Warren
Sep 13, 2024
Teamworks Dog Training
Youngville, NC